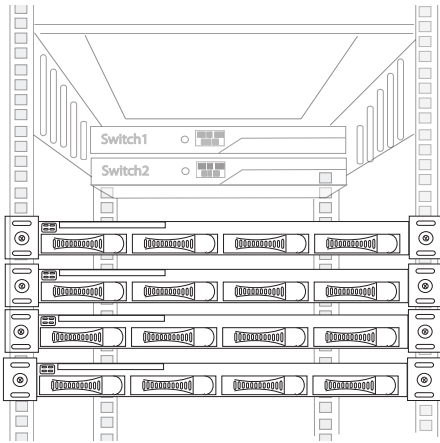


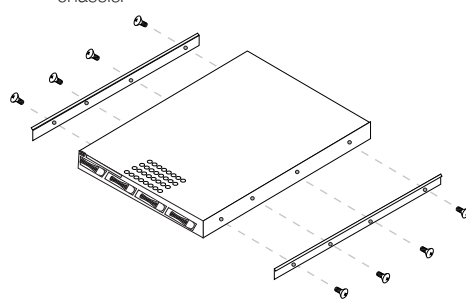
## MaxiScale Hardware Installation

These installation instructions are a general guideline to installing the MaxiScale Distributed File System hardware. Because MaxiScale uses commoditized hardware, the exact details may differ slightly. Normal safety precautions should always be followed.

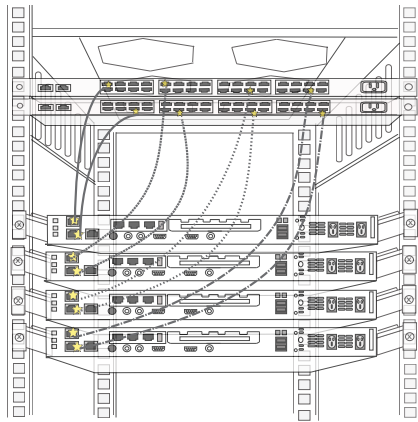
- 4** Repeat the rail and rack installation procedure for all nodes.



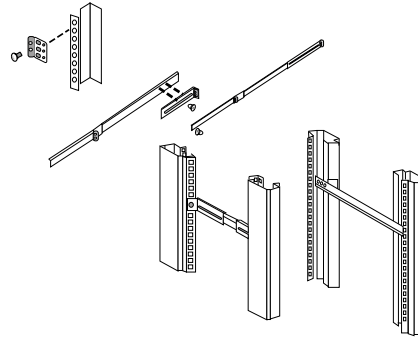
- 1** Install inner rails onto both sides of the chassis.



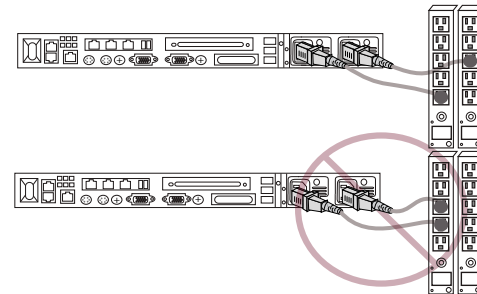
- 5** Connect the nodes to the Ethernet switches. Each node should be connected to both switches as shown.



- 2** Install the outer rails onto the rack.

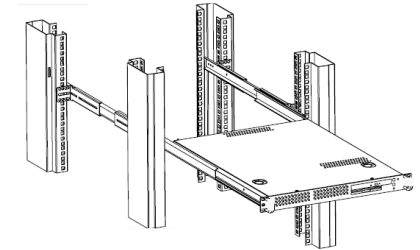


- 6** Each node has two power connectors. To ensure failover, plug each connector into a different power source. Both 110 V and 208 V PDUs are supported.

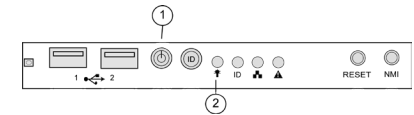


Power supplies are active-active, meaning that instead of one power supply being held in reserve for failover, when both power supplies are connected to the power source they share the power requirements.

- 3** Maintaining standard safety precautions, lift the chassis, slide it into the rack, and secure it. Always load racks from the bottom up.



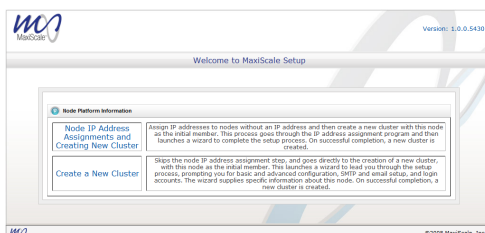
- 7** Press the power ON button (1) to power the node up.



- 8** If not already assigned, assign the IP addresses to the nodes.

For details, see the *MaxiScale Distributed File System Installation Guide*.

- 9** Log into the node's IP address from a browser and follow the online instructions to create the initial cluster.



Load type	Measured load	Notes
Max	205 W	maximum activity load
Peak	215 W	extreme - sustainable for < 1s
Avg	185 W	
Boot	190 W	